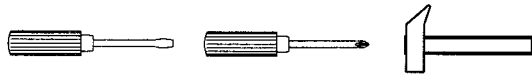
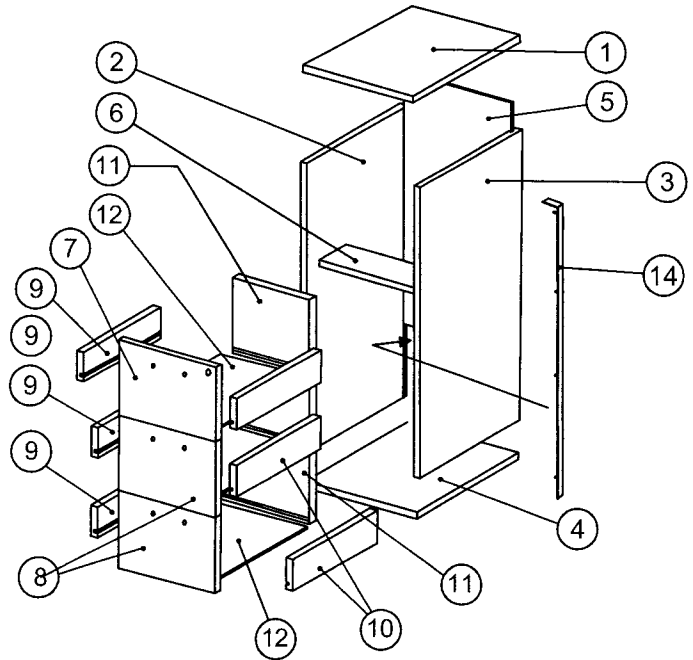
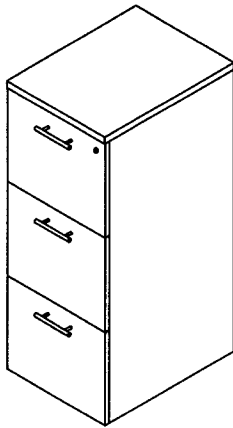


FILING 3 DRAWERS

2764.3

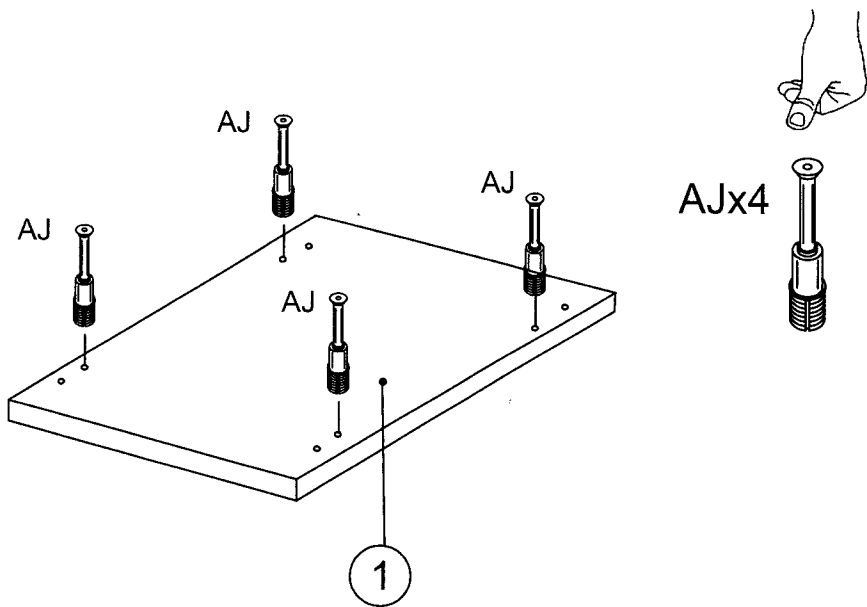


AE 24 	AJ 20 	AM 20 	LN 3 	VB ⊕ 9 	QN 1 	QZ 3 	VZ ⊕ 6 	PA 4 	WP 18
--------------	--------------	--------------	-------------	---------------	-------------	-------------	---------------	-------------	--------------

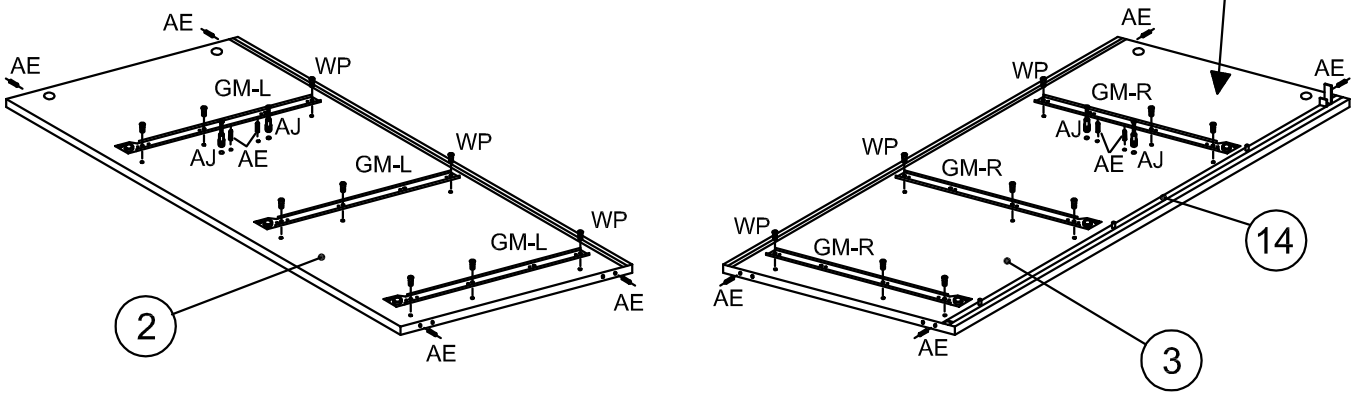
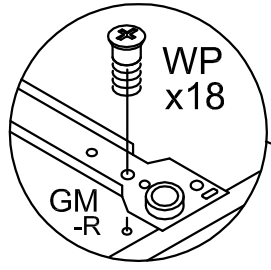
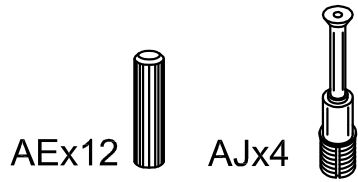
WA 10 	WE 1 	VA ⊕ 15 	VJ ⊕ 13 						
--------------	-------------	----------------	----------------	--	--	--	--	--	--

FD 3 	FE 3 	GM (R+L) 45 cm 3+3 	GN (R+L) 45 cm 3+3
-------------	-------------	---------------------------	---------------------------

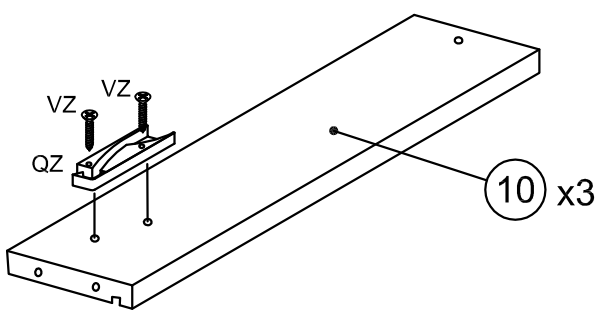
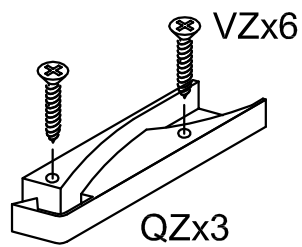
1



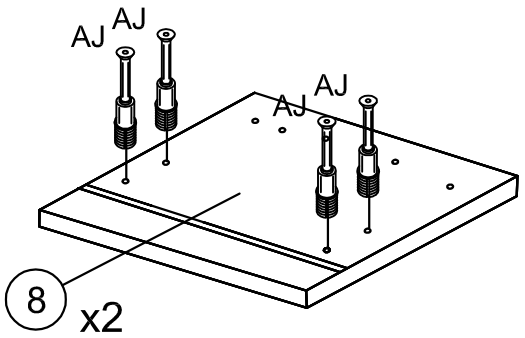
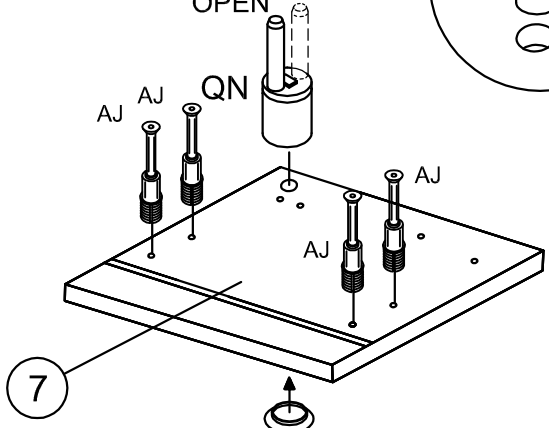
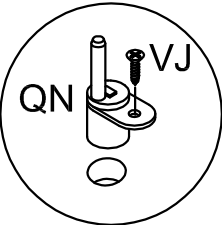
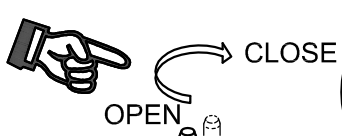
2



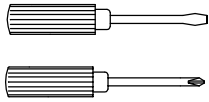
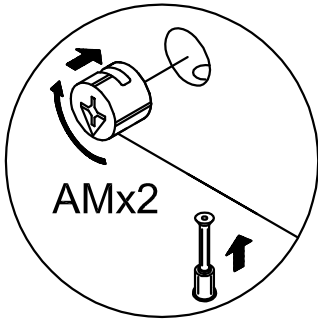
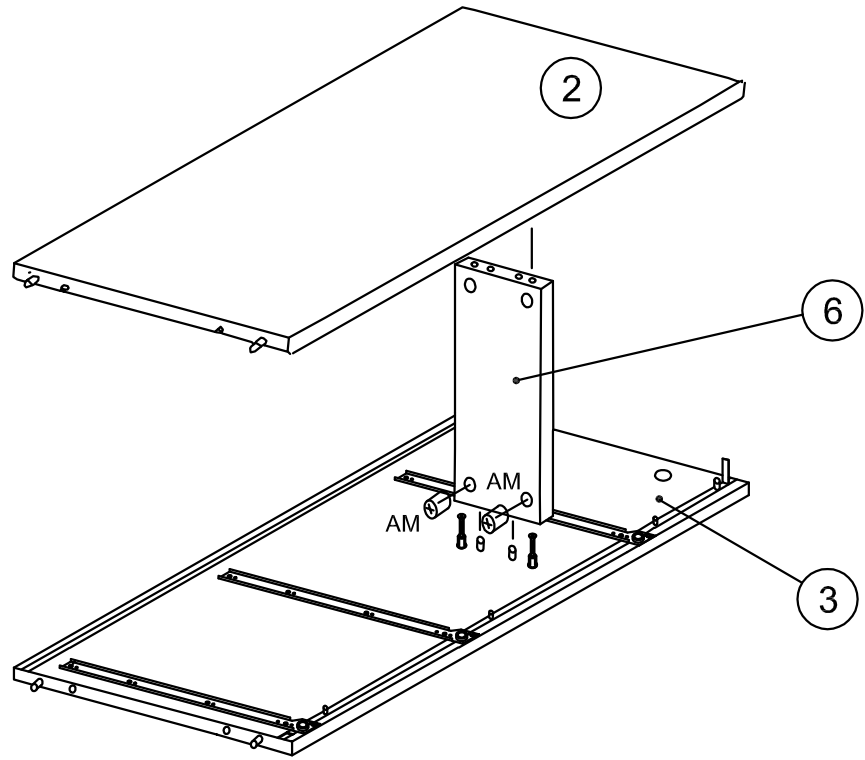
3



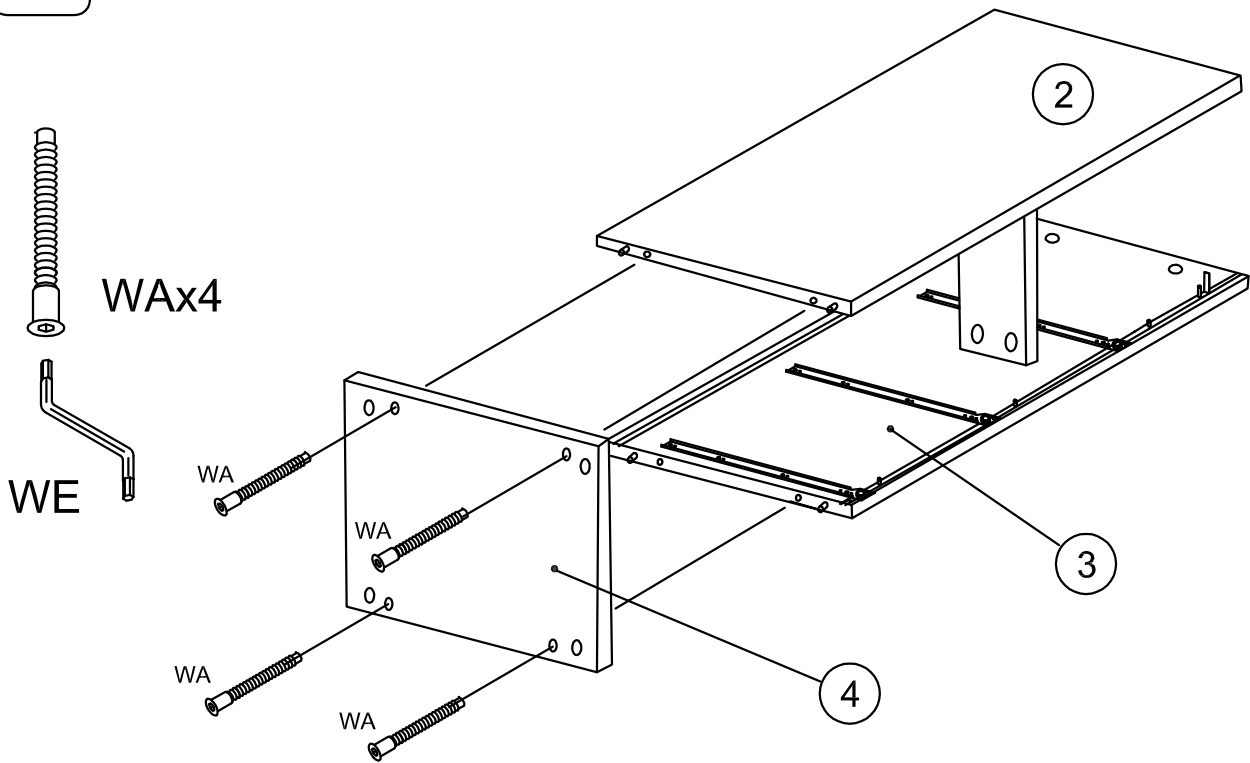
4



5



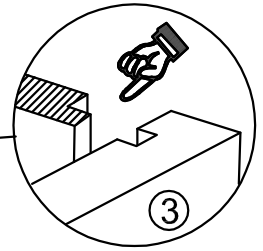
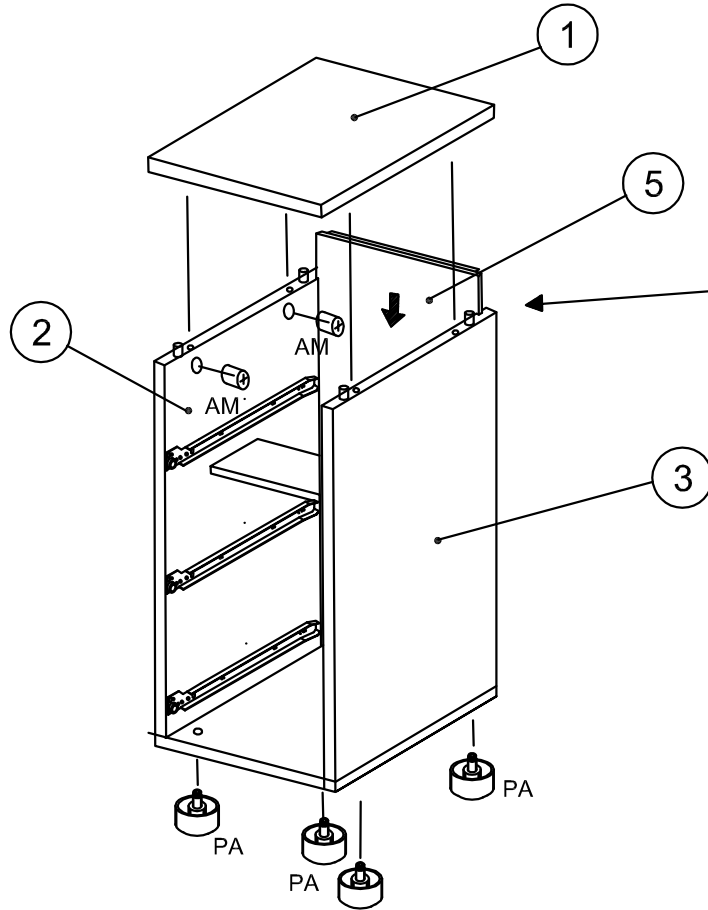
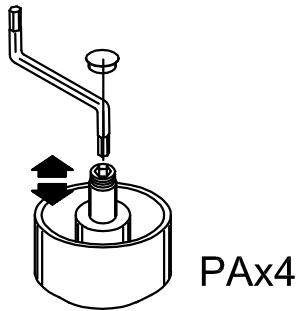
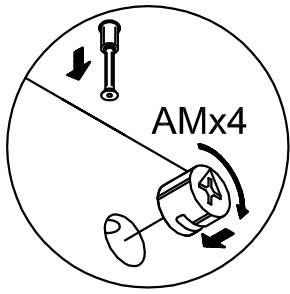
6



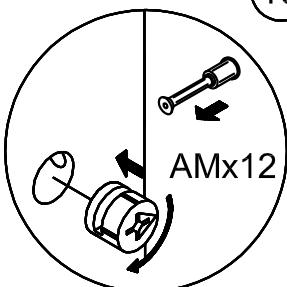
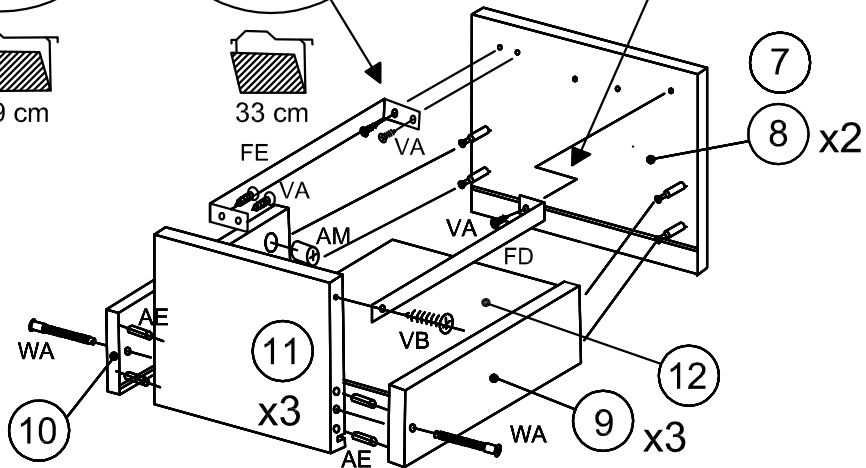
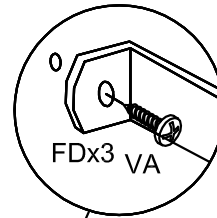
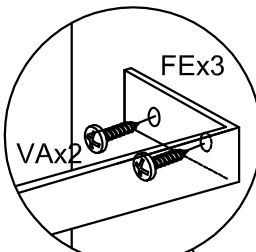
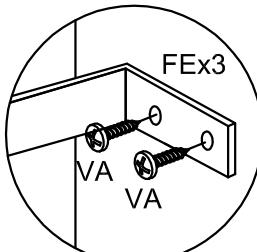
WAx4

WE

7

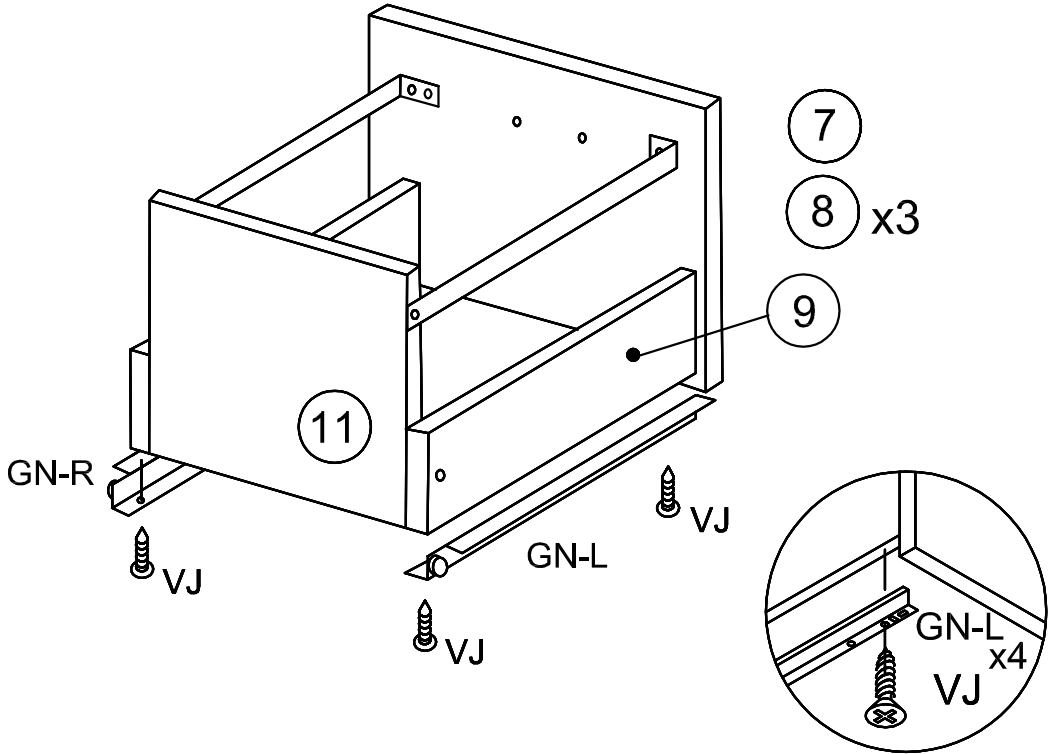


8

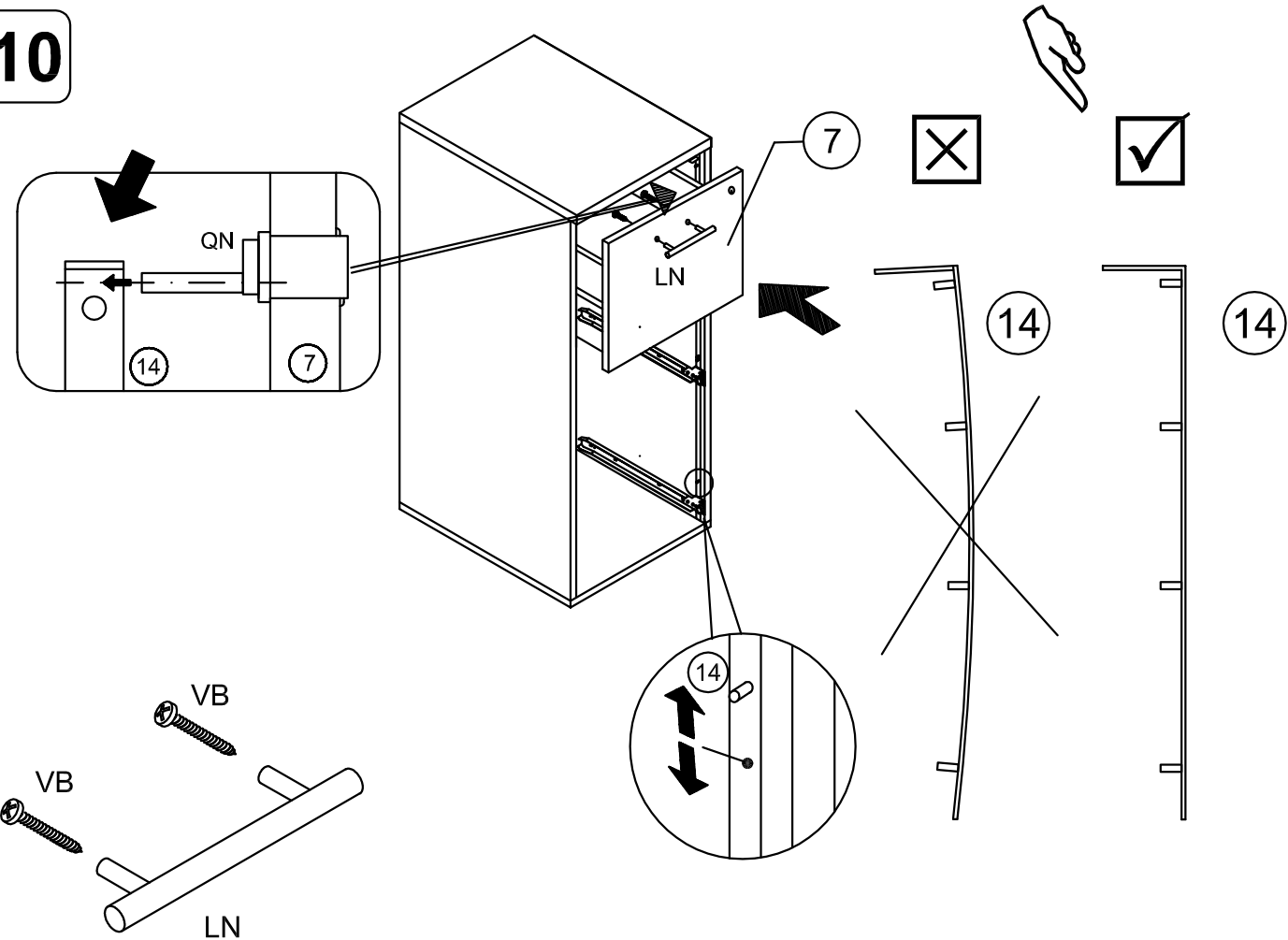


- VBx3
- WAx6
- AEx12

9



10



11

